

# LBB 9099/10 Unidirectional Handheld Microphone

www.boschsecurity.com



**BOSCH**  
Invented for life



- ▶ Dynamic transducer
- ▶ Unidirectional handheld microphone
- ▶ High speech intelligibility
- ▶ Rugged construction
- ▶ Modern nonreflective dark gray finish

This unidirectional handheld microphone provides cost-effective, high-quality speech intelligibility and is fully compatible with other public address equipment. It is based on a dynamic transducer element in a sturdy housing with shielding against wind and wind bursts (pops). The microphone has excellent cardioid directivity, greatly reducing acoustic feedback. The microphone is intended for public address and sound reinforcement applications such as in leisure centers, assembly halls, and shops.

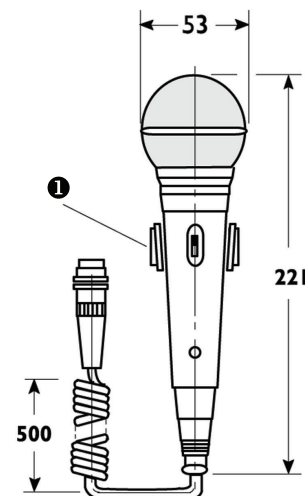
## Functions

The LBB 9099/10 microphone features an on/off slide-switch with electrically isolated contacts for remote control switching, if required. This feature can switch off background music automatically, or sound announcement chimes when the microphone is activated.

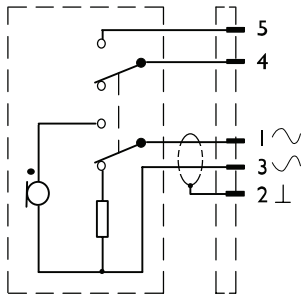
## Certifications and approvals

Region	Certification
Europe	CE

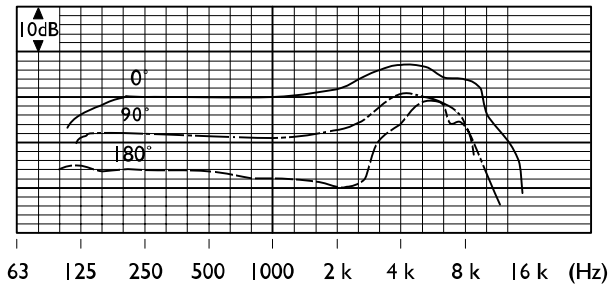
## Installation/configuration notes



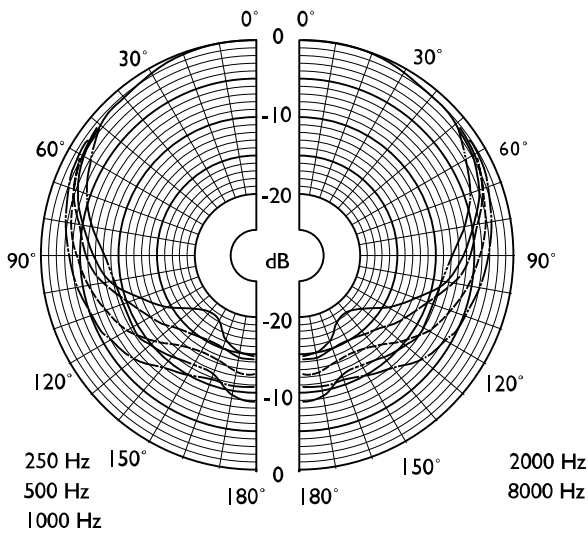
Dimensions in mm showing wall bracket (1)



Circuit diagram



Frequency response



Polar diagram (measured with pink noise)

**Parts included**

Quantity	Component
1	LBB 9099/10 Unidirectional Handheld Microphone
1	Wall-mounting bracket

**Technical specifications**

**Electrical\***

Type	Handheld
Polar pattern	Unidirectional
Frequency range	100 Hz to 13 kHz
Sensitivity	2 mV/Pa ±4 dB
Rated output impedance	600 ohm

\* Technical performance data acc. to IEC 60268-4

**Mechanical**

Dimensions (L x D)	221 x 53 mm (8.7 x 2.09 in)
Weight	420 g (0.93 lb)
Color	Dark gray
Switch	On/off with remote control contact
Cable length	0.5 m (19.7 in) coiled 1.2 m (47.2 in) uncoiled
Connector	5-pin 180° DIN (lockable)

**Environmental**

Operating temperature	-10 °C to +55 °C (+14 °F to +131 °F)
Storage temperature	-40 °C to +70 °C (-40 °F to +158 °F)
Relative humidity	<95%

**Ordering information**

**LBB 9099/10 Unidirectional Handheld Microphone**  
with a lockable 5-pin DIN connector  
Order number **LBB9099/10**

**Accessories**

**LBC 1102/02 Cable Transformer**  
for galvanic separation  
Order number **LBC1102/02**

**Represented by:**

**Americas:**

Bosch Security Systems, Inc.  
12000 Portland Avenue South  
Burnsville MN 55337, USA  
Phone: +1-800-392-3497  
Fax: +1-800-955-6831  
audiosupport@us.bosch.com  
www.boschsecurity.com

**Europe, Middle East, Africa:**

Bosch Security Systems B.V.  
P.O. Box 80002  
5617 BA Eindhoven, The Netherlands  
Phone: + 31 40 2577 284  
Fax: +31 40 2577 330  
emea.securitysystems@bosch.com  
www.boschsecurity.com

**Asia-Pacific:**

Robert Bosch (SEA) Pte Ltd, Security  
Systems  
11 Bishan Street 21  
Singapore 573943  
Phone: +65 6571 2808  
Fax: +65 6571 2699  
apr.securitysystems@bosch.com  
www.boschsecurity.asia

**China:**

Bosch (Shanghai) Security Systems Ltd.  
201 Building, No. 333 Fuquan Road  
North IBP  
Changning District, Shanghai  
200335 China  
Phone +86 21 22181111  
Fax: +86 21 22182398  
www.boschsecurity.com.cn

**America Latina:**

Robert Bosch Ltda Security Systems Division  
Via Anhanguera, Km 98  
CEP 13065-900  
Campinas, Sao Paulo, Brazil  
Phone: +55 19 2103 2860  
Fax: +55 19 2103 2862  
al.securitysystems@bosch.com  
www.boschsecurity.com