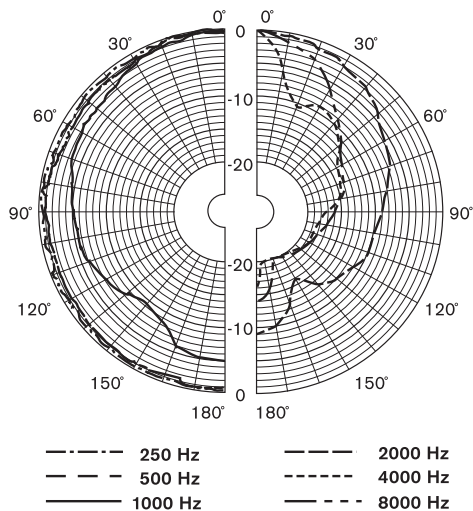
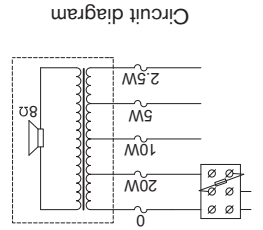


Frequency response



Polar diagram (measured with pink noise)



Electrical	
Maximum power	30 W
Rated power	20 / 10 / 5 / 2.5 W
Sound pressure level	at 20 W / 1W (1 kHz, 1 m)
Opening angle	220 / 65 degrees
Effective freq. range (-10 dB)	80 Hz to 20 kHz
Rated voltage	100 V
Rated impedance	500 Ohm
Connector	3 pole screw terminal
Mechanical	
Dimensions (D x L)	185 x 254 mm (7.3 x 10 in)
Weight	3 kg (6.6 lb)
Color	white (RAL 9010)
Material	ABS
Environmental	
Operating temperature	-25 °C to +55 °C (-13 °F to +131 °F)
Storage temperature	-40 °C to +70 °C (-40 °F to +158 °F)
Relative humidity	> 95%

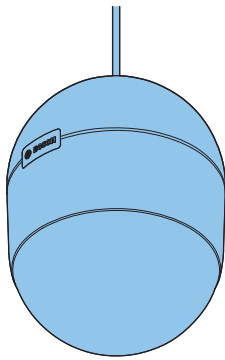
TECHNICAL PERFORMANCE DATA ACC. TO IEC 60268-5

## Sound Projector

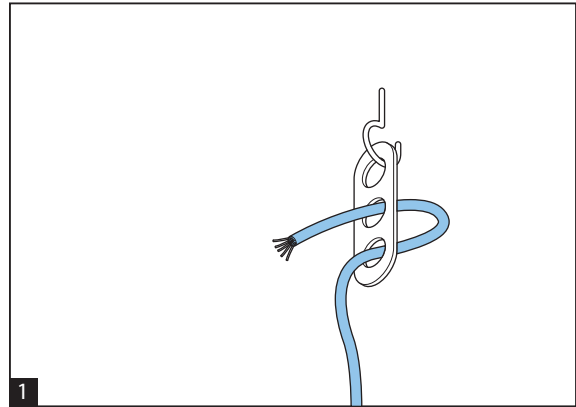


Security Systems

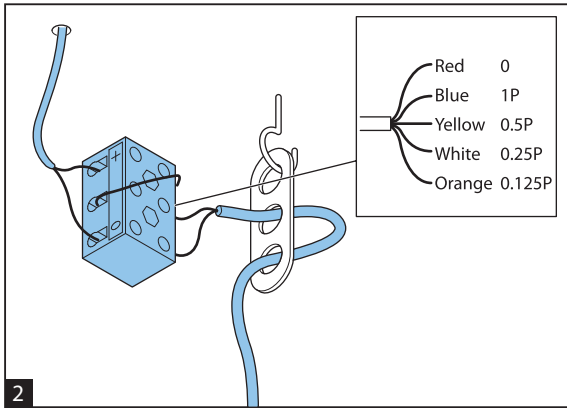
en | Instructions for use  
LS1-UC20E-1



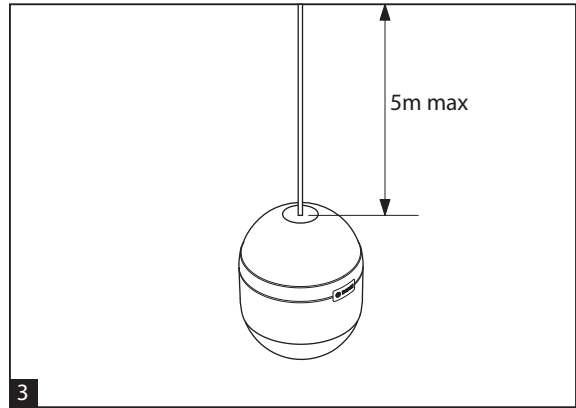
LS1-UC-20E-1



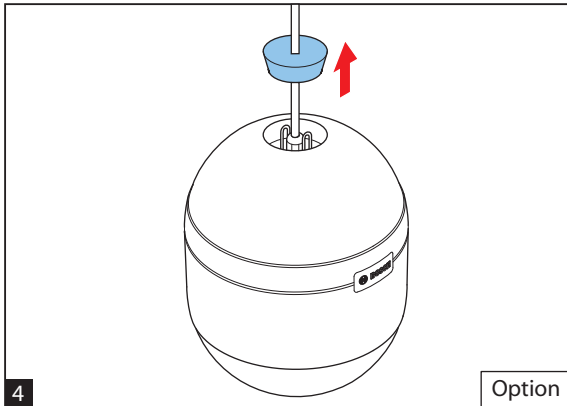
1



2

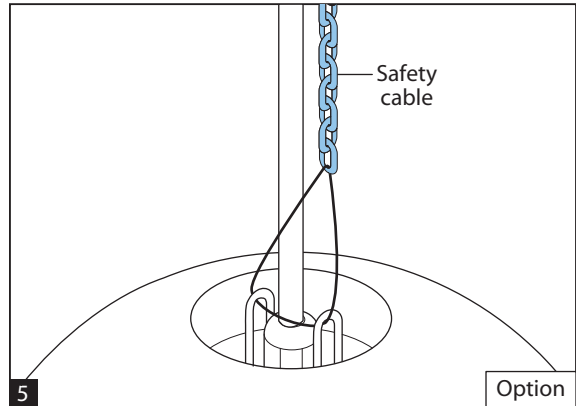


3



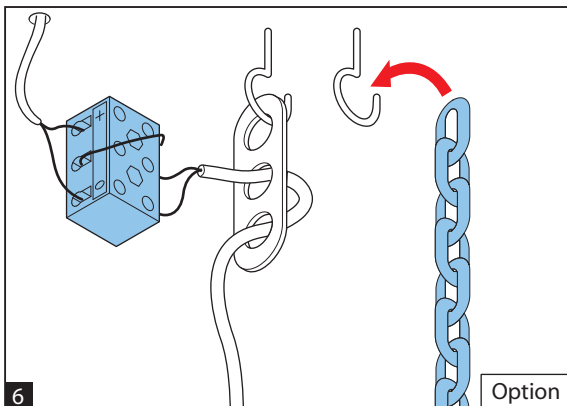
4

Option



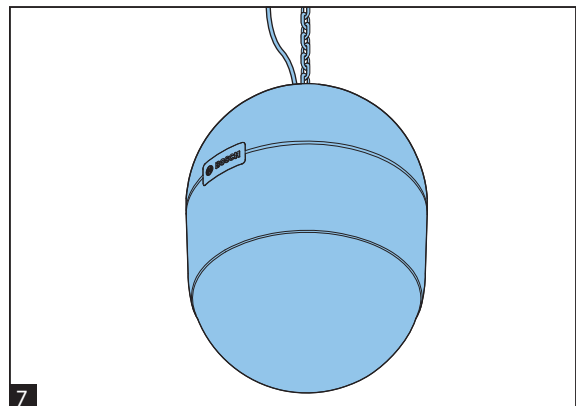
5

Option



6

Option



7