



Music Horn Loudspeaker 30 W

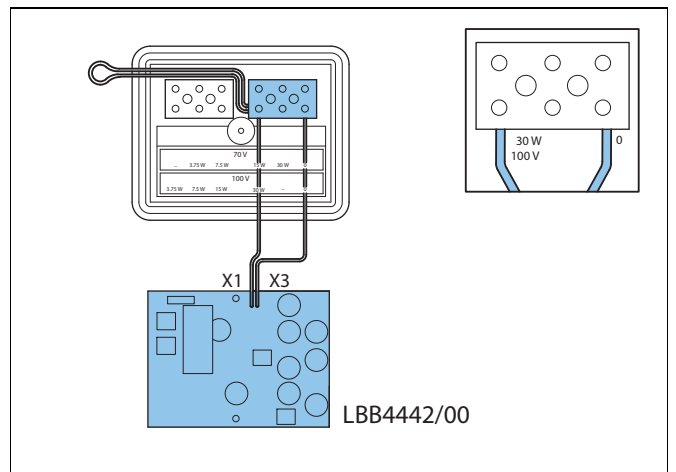
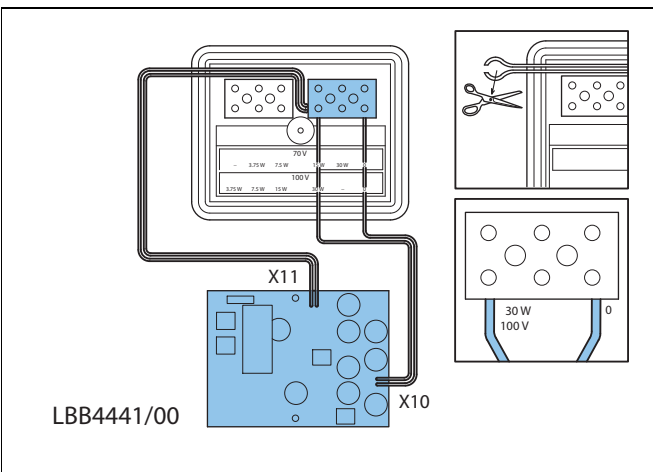
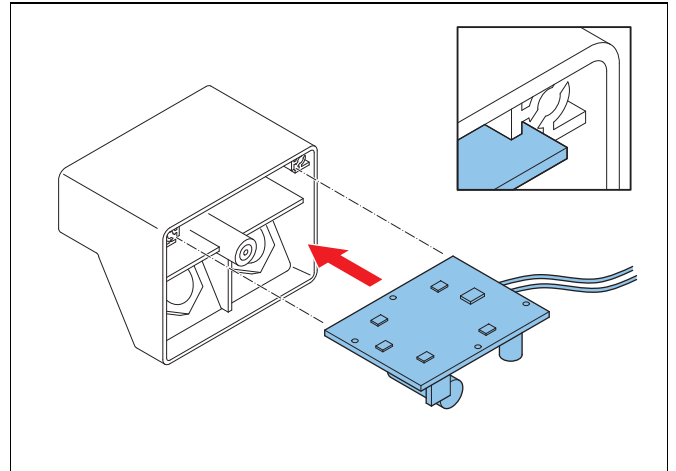
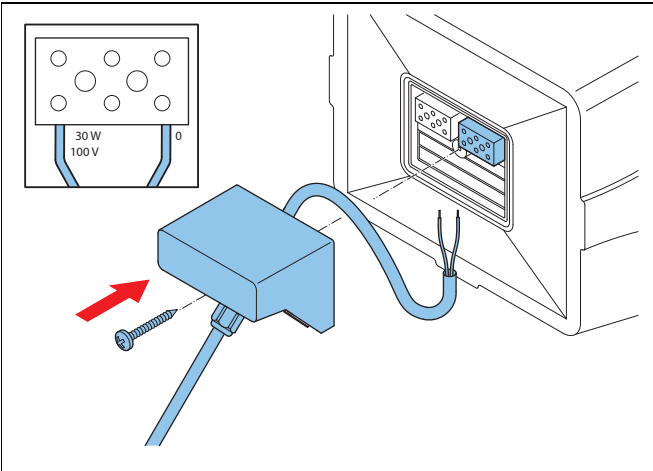
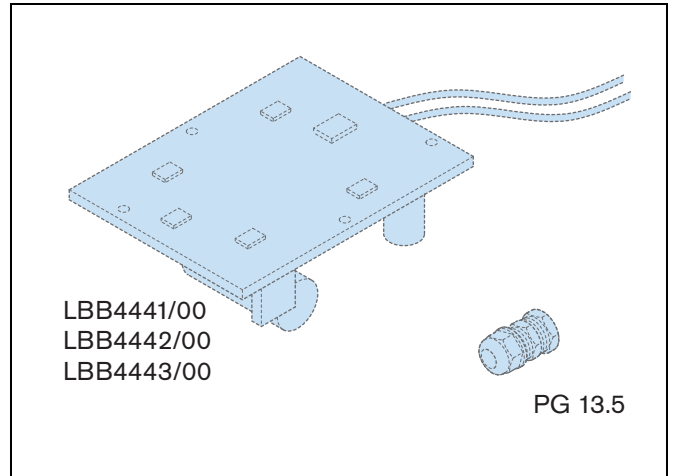
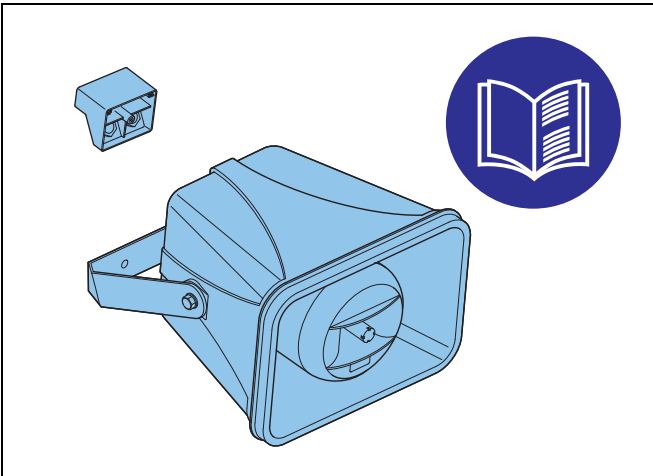
LH1-UC30E

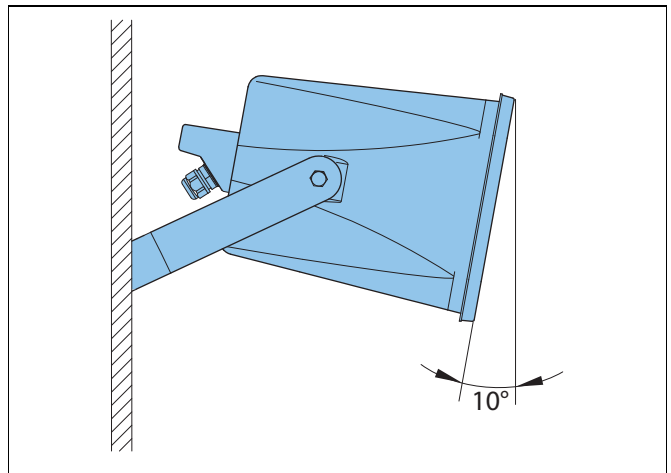
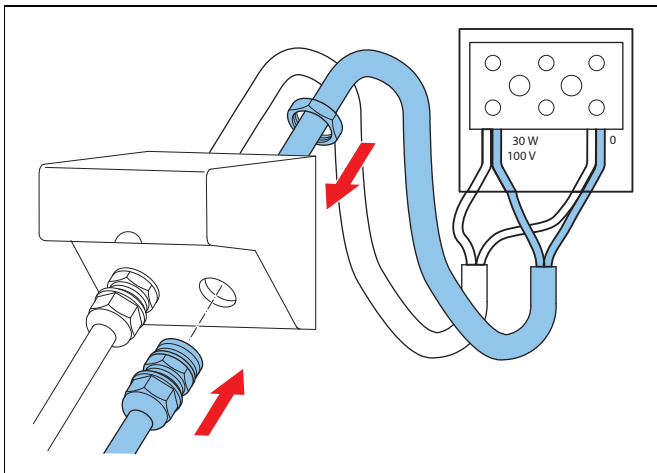
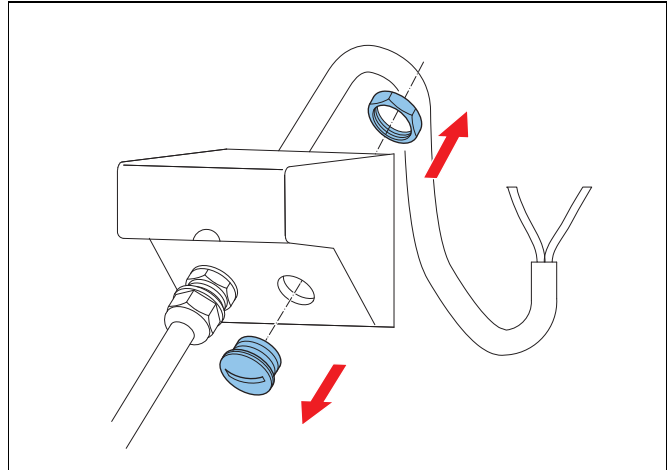
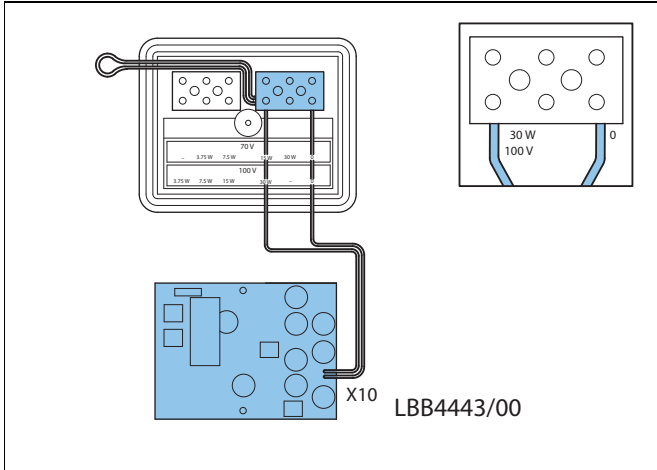


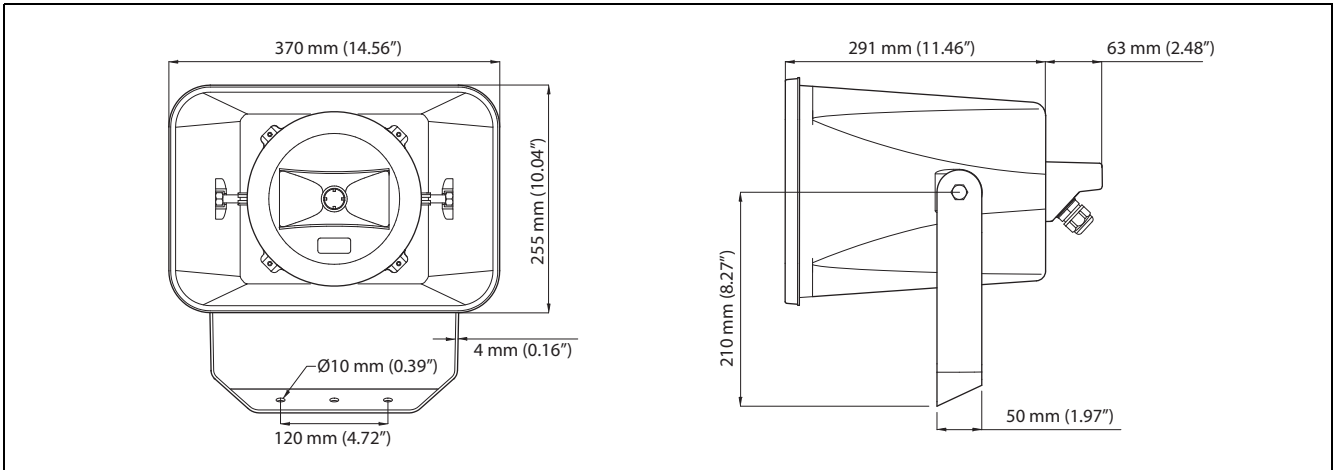
BOSCH

en Installation Note

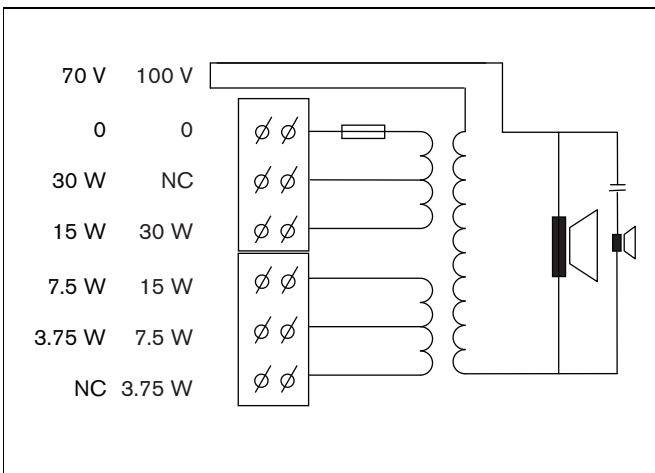
Installation



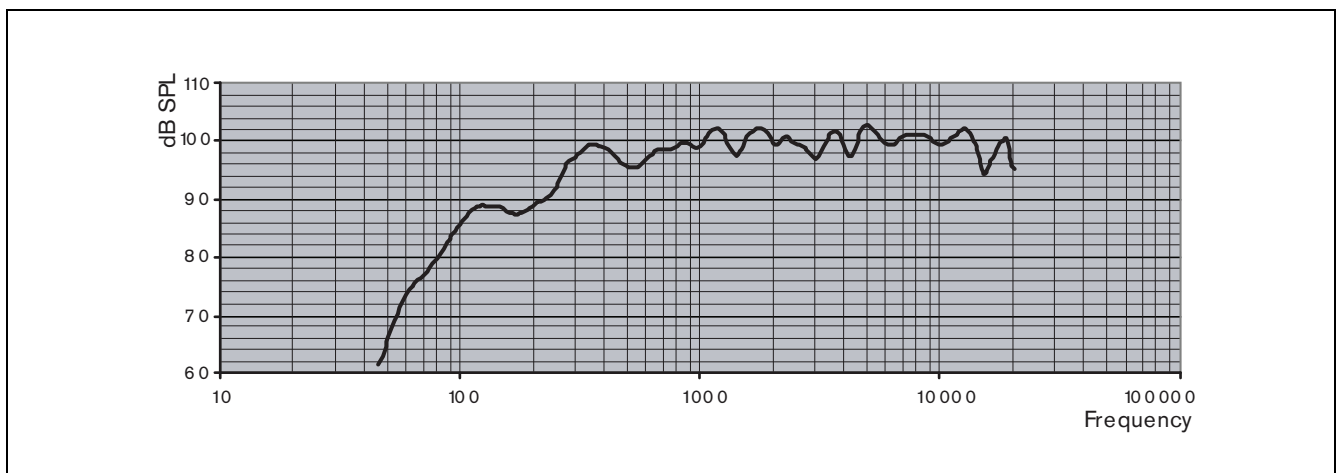




Dimensions



Circuit diagram



Frequency response

Technical specifications

Electrical*

Maximum power	45 W
Rated power	30 / 15 / 7.5 / 3.75 W
Sound pressure level at rated power / 1 W (1 kHz, 1 m)	115 dB / 100 dB
Opening angle at 1 kHz / 4 kHz (-6 dB):	
- horizontal	68 / 68 degrees
- vertical	98 / 118 degrees
Effective frequency range (-10 dB)	212 Hz to 20 kHz
Rated voltage	70 / 100 V
Rated impedance	167 / 333 Ohm
Connector	6 pole screw terminal

*Technical performance according to IEC 60268-5

Mechanical

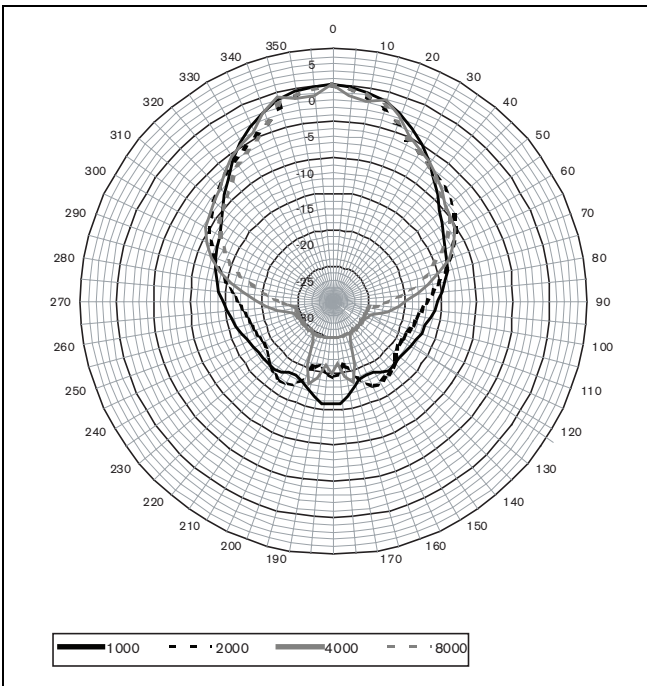
Dimensions (H x W x D)	255 x 370 x 354 mm ((10.04 x 14.56 x 13.93 in)
Weight	5.65 kg (12.45 lb)
Color	light grey (RAL 7035)
Cable diameter	6 mm to 12 mm

Environmental

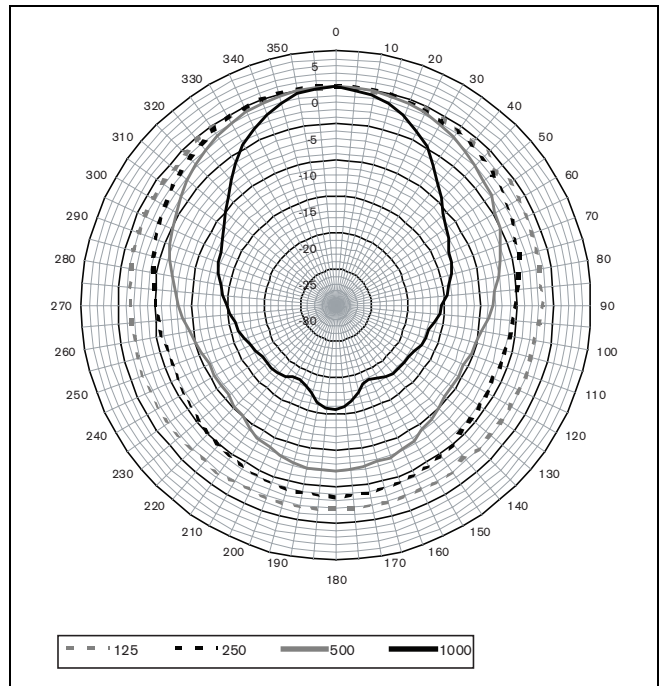
Operation temperature	-25 °C to +55 °C (-13 °F to +131 °F)
Storage temperature	-40 °C to +70 °C (-40 °F to +158 °F)
Relative humidity	< 95%

Certification and approvals

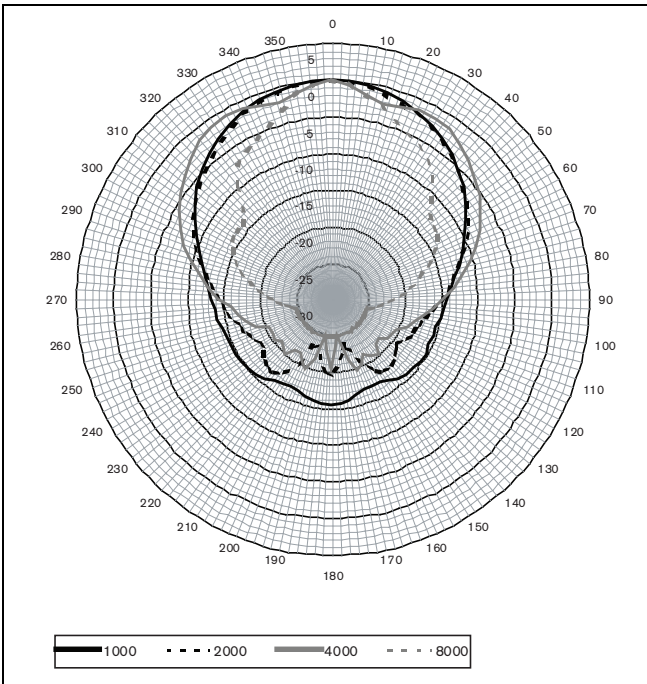
Safety	acc. to EN 60065
Water and dust protection	acc. to EN 60529 IP 65
EVAC compliancy	acc. to BS5839 part 8 / EN 60849
UL compliancy	acc. to UL 94 V 0
Wind-force	acc. to NEN 6702:2007 + A1:2008, Bft 11
Chlorine resistance	acc. to IEC 60068/2-60



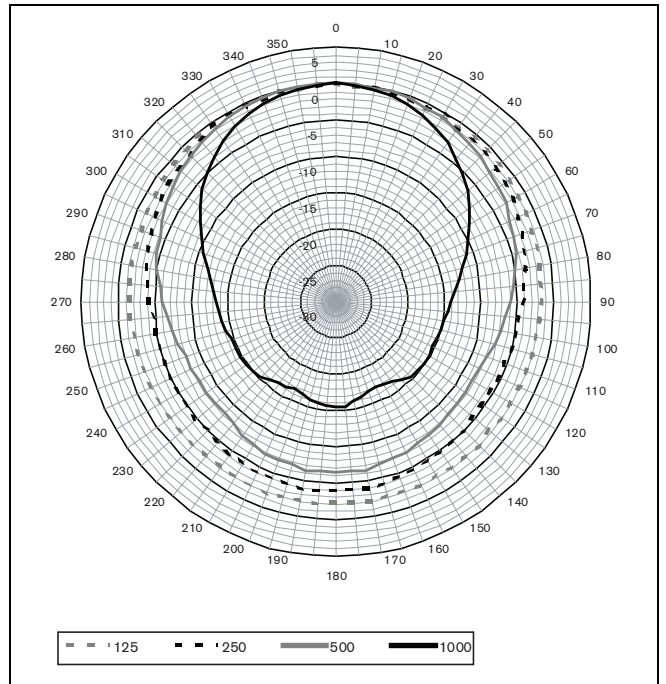
Horizontal polar diagram.
Normalized at 0-degree axis.



Horizontal polar diagram.
Normalized at 0-degree axis.



Vertical polar diagram.
Normalized at 0-degree axis.



Vertical polar diagram.
Normalized at 0-degree axis.

Bosch Security Systems B.V.

Kapittelweg 10
4800 RA Breda
The Netherlands

www.boschsecurity.com

© Bosch Security Systems B.V., 2010