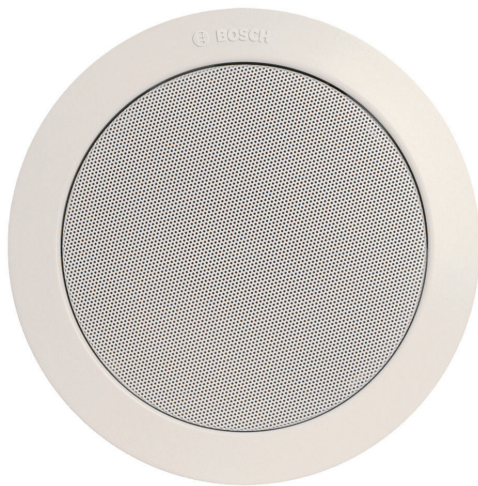


# LBC 3086/41 Ceiling Loudspeaker

www.boschsecurity.com



**BOSCH**  
Invented for life



- ▶ Suitable for speech and music reproduction
- ▶ Flush-mounting in ceiling cavity
- ▶ Easy to install
- ▶ Simple power setting
- ▶ Optional certified fire dome

Voice alarm loudspeakers are specifically designed for use in buildings where performance of systems for verbal evacuation announcements is governed by regulations. The LBC 3086/41 is designed for use in voice alarm systems.

## Functions

The loudspeaker unit is a 6 W, dual-cone loudspeaker with an integrated circular metal grille. A 100 V matching transformer is mounted on the back. The appearance and neutral white RAL color have been selected to be unobtrusive in virtually all interiors. The loudspeaker has built-in protection to ensure that, in the event of a fire, damage to the loudspeaker does not result in failure of the circuit to which it is connected. In this way, system integrity is maintained, ensuring loudspeakers in other areas can still be used to inform people of the situation. The loudspeaker has ceramic terminal blocks, thermal fuse and heat-resistant, high-temperature wiring. It can also be fitted with an optional fire-dome to increase protection of the cable termination.

## Certifications and approvals

All Bosch loudspeakers are designed to withstand operating at their rated power for 100 hours in accordance with IEC 268-5 Power Handling Capacity (PHC) standards. Bosch has also developed the Simulated Acoustical Feedback Exposure (SAFE) test to demonstrate that they can withstand two times their rated power for short durations. This ensures extra reliability under extreme conditions, leading to higher customer satisfaction, longer operating life, and much less chance of failure or performance deterioration.

Safety	acc. to EN 60065
* Emergency	acc. to BS 5839-8 /* EN 54-24 / EN 60849
* Water and dust protection	acc. to EN 60529-IP32

\* only in combination with the LBC 3081/02 Fire Dome

Region	Certification
Europe	CE
	CPD
Poland	CNBOP

**Installation/configuration notes**

**Installation**

The assembly is quickly installed into a hole in the ceiling cavity. A separate mounting ring, secured by three integral spring-loaded ceiling locking clamps (for ceilings and wall boards from 9 to 25 mm thick) holds it in place. The clamps are provided with protective rubbers to avoid damaging soft ceiling material. A circular template for marking a 196 mm (7.7 in) diameter hole is included with the loudspeaker. The loudspeaker unit is held in the mounting ring with a bayonet fitting.

**Terminal Block**

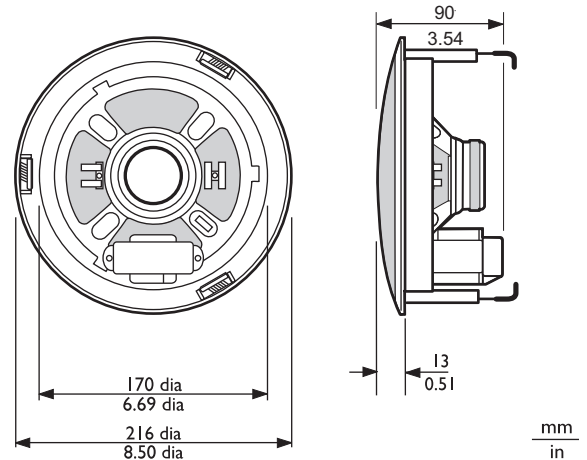
The unit has a three-way terminal block with screw connections suitable for loop-through wiring. Four primary taps are provided on the matching transformer to allow selection of nominal full-power, half-power, quarter-power or eighth power radiation (i.e. in 3 dB steps).

**LBC 3081/02 Fire Dome Assembly**

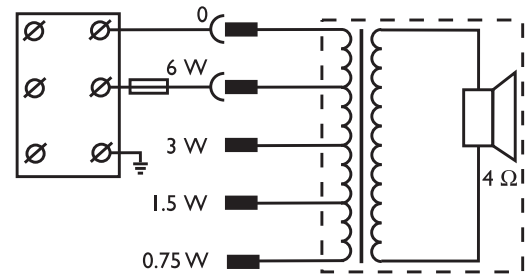
During a fire, the ceiling cavity in which loudspeakers are installed can allow flames to spread throughout a building. To prevent fire entering the cavity via the loudspeaker, the ceiling loudspeaker can be fitted with a protective steel fire dome (LBC 3081/02).



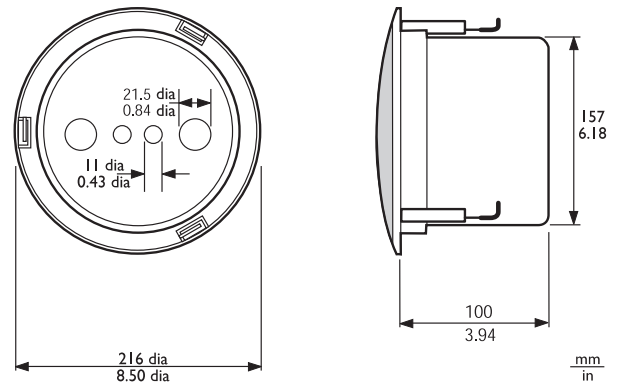
LBC 3086/41 with LBC 3081/02 fire dome assembly



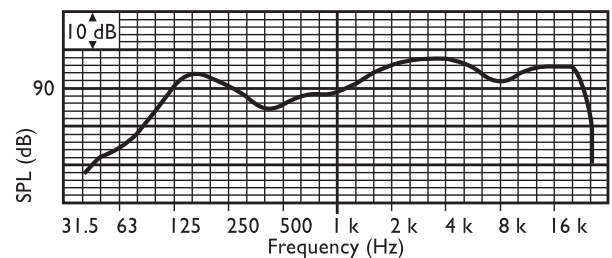
Dimensions in mm (in)



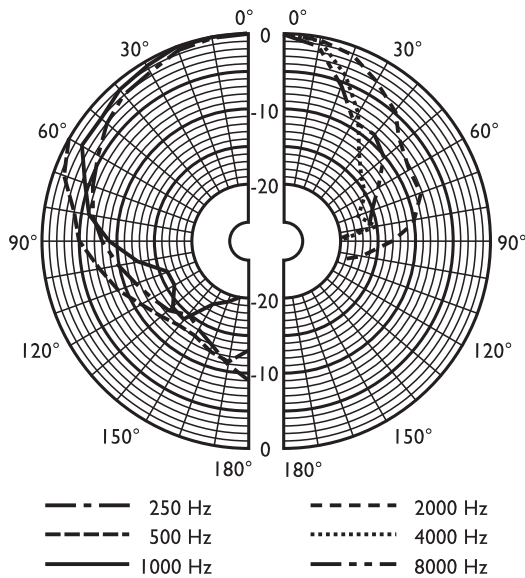
Circuit diagram



LBC 3086/41 with LBC 3081/02 fire dome assembly dimensions in mm (in)



Frequency response



Polar diagram (measured with pink noise)

	125 Hz	250 Hz	500 Hz	1 kHz	2 kHz	4 kHz	8 kHz
SPL 1.1	92	90	85	90	96	98	92
SPL max.	100	98	93	98	104	106	100
Q-factor	4.8	4.4	2.5	3.7	8.3	20	21
Efficiency	0.42	0.29	0.16	0.34	0.6	0.4	0.1
H. angle	160	160	180	160	90	50	40
V. angle	160	160	180	160	90	50	40

Acoustical performance specified per octave

### Parts included

Quantity	Components
1	LBC 3086/41 Ceiling Loudspeaker
1	196 mm circular template

### Technical specifications

#### Electrical\*

Maximum power	9 W
Rated power	6 / 3 / 1.5 / 0.75 W
Sound pressure level at 6 W / 1 W (1 kHz, 1 m)	98 dB / 90 dB (SPL)
Effective frequency range (-10 dB)	90 Hz to 20 kHz

Opening angle at 1 kHz/4 kHz (-6 dB)	180° / 50°
Rated voltage	100 V
Rated impedance	1667 ohm
Connector	3-pole screw terminal block

\* Technical performance data acc. to IEC 60268-5

#### Mechanical

Diameter	216 mm (8.5 in)
Maximum depth	90 mm (3.54 in)
Ceiling thickness	9 to 25 mm (0.35 to 0.98 in)
Mounting cut-out	196 mm (7.7 in)
Weight	1.3 kg (2.86 lb)
Color	off-white (RAL 9010)
Magnet weight	150 g (5.3 oz)

#### Environmental

Operating temperature	-25 °C to +55 °C (-13 °F to +131 °F)
Storage temperature	-40 °C to +70 °C (-40 °F to +158 °F)
Relative humidity	<95%

Other parameters are available in CNBOP test report nr 4781/BA/10.

 1438
Bosch Security Systems BV Kapittelweg 10, 4827 HG Breda, The Netherlands 10 1438-CPD-0193
EN 54-24:2008  Loudspeaker for voice alarm systems for fire detection and fire alarm systems for buildings  Ceiling Loudspeaker 6 W with metal Fire-dome LBC3086/41 and LBC3081/02 Type A

### Ordering information

#### LBC 3086/41 Ceiling Loudspeaker

6 W, dual-cone loudspeaker with an integrated circular metal grille.

Order number **LBC3086/41**

#### Accessories

##### LBC 3081/02 Fire Dome

metal fire dome for LBC 3086/41 ceiling loudspeaker  
 Order number **LBC3081/02**

**Represented by:**

**Americas:**

Bosch Security Systems, Inc.  
12000 Portland Avenue South  
Burnsville MN 55337, USA  
Phone: +1-800-392-3497  
Fax: +1-800-955-6831  
audiosupport@us.bosch.com  
www.boschsecurity.com

**Europe, Middle East, Africa:**

Bosch Security Systems B.V.  
P.O. Box 80002  
5617 BA Eindhoven, The Netherlands  
Phone: + 31 40 2577 284  
Fax: +31 40 2577 330  
emea.securitysystems@bosch.com  
www.boschsecurity.com

**Asia-Pacific:**

Robert Bosch (SEA) Pte Ltd, Security  
Systems  
11 Bishan Street 21  
Singapore 573943  
Phone: +65 6571 2808  
Fax: +65 6571 2699  
apr.securitysystems@bosch.com  
www.boschsecurity.asia

**China:**

Bosch (Shanghai) Security Systems Ltd.  
201 Building, No. 333 Fuquan Road  
North IBP  
Changning District, Shanghai  
200335 China  
Phone +86 21 22181111  
Fax: +86 21 22182398  
www.boschsecurity.com.cn

**America Latina:**

Robert Bosch Ltda Security Systems Division  
Via Anhanguera, Km 98  
CEP 13065-900  
Campinas, Sao Paulo, Brazil  
Phone: +55 19 2103 2860  
Fax: +55 19 2103 2862  
al.securitysystems@bosch.com  
www.boschsecurity.com