

# LBC 14x0/x0 MK Volume Controls and LBC 1430/10 Program Selector

www.boschsecurity.com



**BOSCH**  
Invented for life



- ▶ 12 W, 36 W and 100 W versions
- ▶ Available in power-save or failsafe versions
- ▶ Built-in 24 VDC override relay
- ▶ Continuous rotating system
- ▶ Suitable for 3-wire and 4-wire systems

Bosch introduces a full range of volume controls and program selectors to provide a complete public address solution.

## Functions

### Operation

Public address systems are often used for both announcements and background music distribution. Volume controls can be used to adjust the level locally. In addition to volume control, program selectors can also be installed to select five different programs locally. In the event of an (emergency) announcement, the built-in relay ensures that the message is broadcast at a preset level, independent of the local volume setting.

The volume controls come in three versions according to power rating: 12 W, 36 W, and 100 W. The total load of the loudspeakers connected to a volume control may not exceed the rated power.

Each of the three versions is also available in two versions. One is a power-saving, 4-wire volume override (/10 models), where the override relay is activated during an emergency call. The other is a

failsafe, 4-wire volume override (/20 models), where the override relay is deactivated during an emergency call.

The design and color are unobtrusive in any interior. Ease of installation, operation and reliability is optimized in the design.

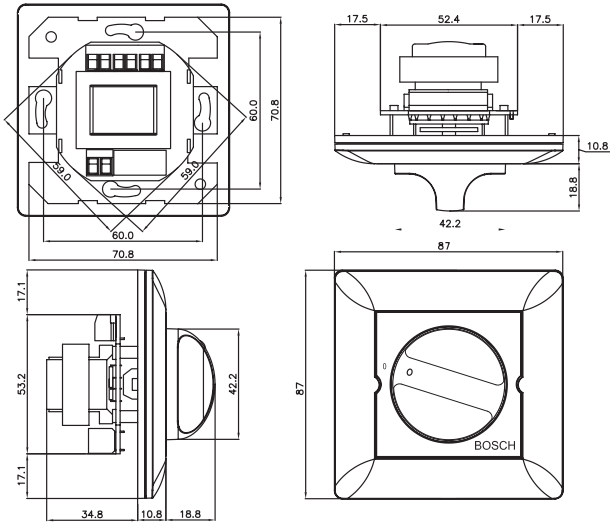
### Interconnections

Screw connections

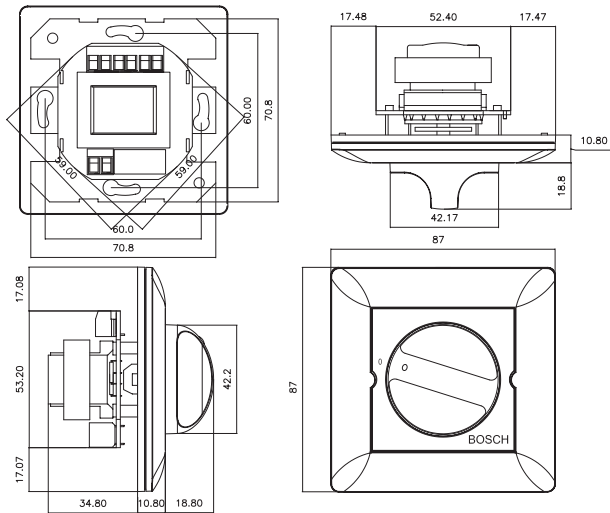
## Certifications and approvals

Safety	acc. to EN 60065
Self-extinguishing	acc. to UL 94 V0

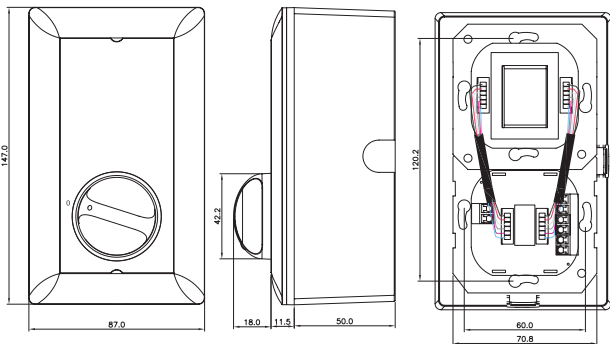
Installation/configuration notes



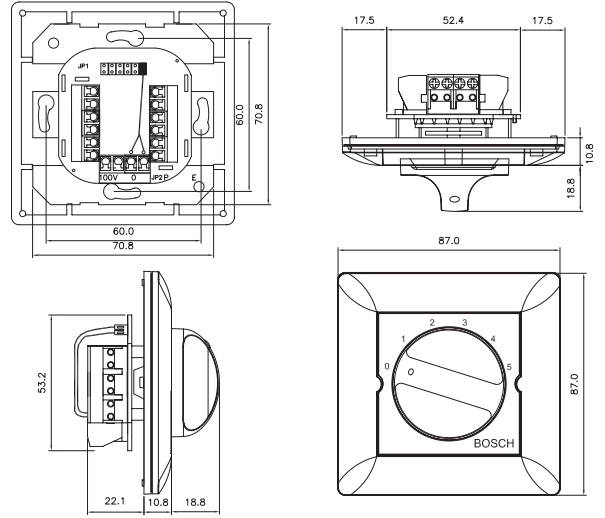
LBC 1400/10 and LBC 1400/20 dimensions in mm



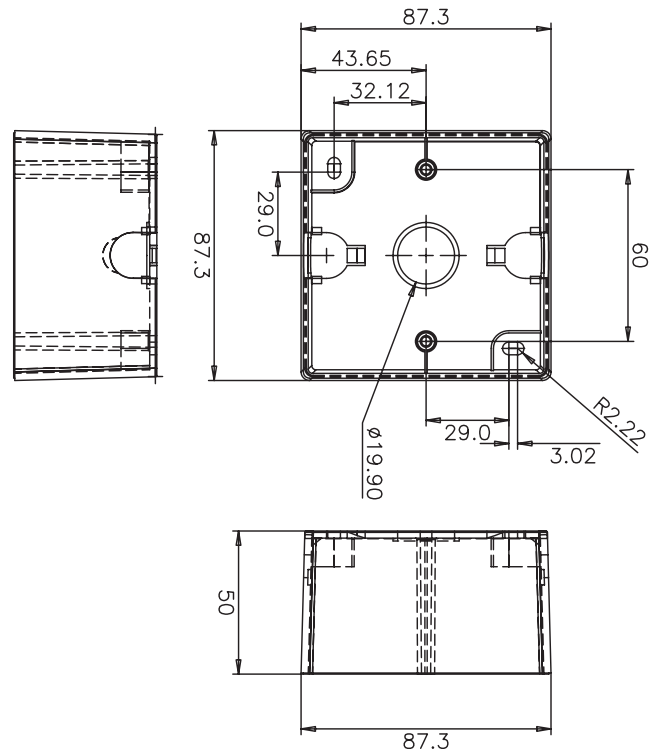
LBC 1410/10 and LBC 1410/20 dimensions in mm



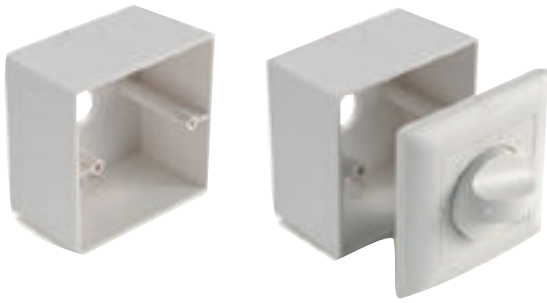
LBC 1420/10 and LBC 1420/20 dimensions in mm



LBC 1430/10 dimensions in mm

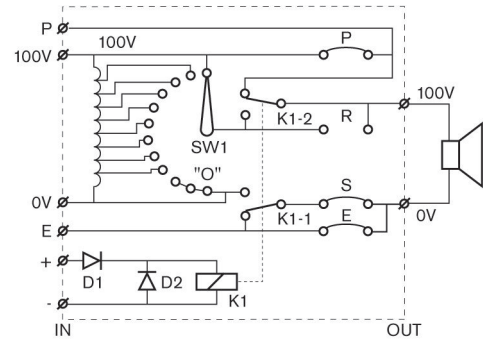


LM1-SMB-MK dimensions in mm

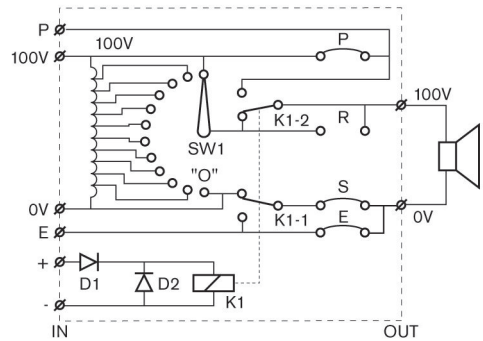


LM1-SMB-MK detail

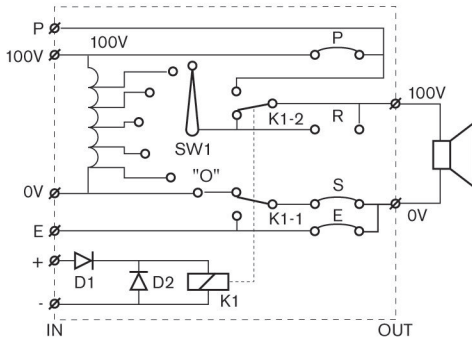
LBC 1410/10 circuit diagram



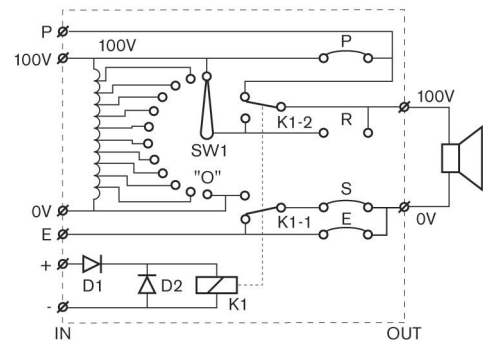
LBC 1410/20 circuit diagram



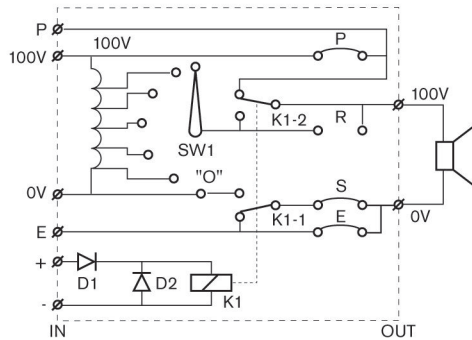
LBC 1400/10 circuit diagram



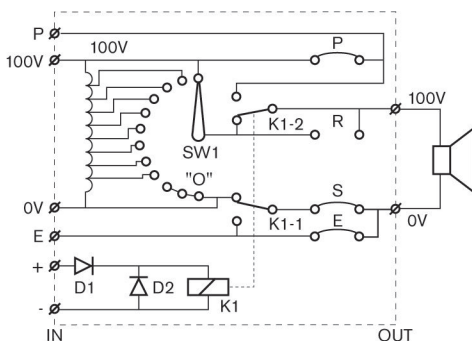
LBC 1420/10 circuit diagram

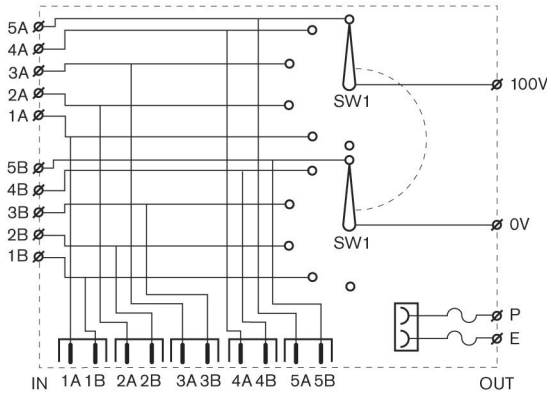


LBC 1400/20 circuit diagram



LBC 1420/20 circuit diagram





LBC 1430/10 circuit diagram

**Technical specifications**

**Electrical**

<b>LBC 1400/10 and /20</b>	
Rated power	12 W
Input voltage	100 V
Attenuation steps	5 x 3 dB + off
Frequency response	50 Hz to 20 kHz (-1 dB)
THD	<0.5%
Current consumption	20 mA at 24 VDC
<b>LBC 1410/10 and /20</b>	
Rated power	36 W
Input voltage	100 V
Attenuation steps	8 x 3 dB + off
Frequency response	50 Hz to 20 kHz (-1 dB)
THD	<0.5%
Current consumption	20 mA at 24 VDC
<b>LBC 1420/10 and /20</b>	
Rated power	100 W
Input voltage	100 V
Attenuation steps	10 x 2 dB + off
Frequency response	50 Hz to 20 kHz (-1 dB)
THD	<0.5%
Current consumption	20 mA at 24 VDC
<b>LBC 1430/10</b>	
Rated power	100 W
Input voltage	100 V
Number of programs	5 programs + off

**Mechanical**

<b>LBC 1400/10 and /20</b>	
Dimensions (W x H x D)	87 x 87 x 45.6 mm
Weight	226 g
Color	White (RAL 9010)
<b>LBC 1410/10 and /20</b>	
Dimensions (W x H x D)	87 x 87 x 45.6 mm
Weight	227 g
Color	White (RAL 9010)
<b>LBC 1420/10 and /20</b>	
Dimensions (W x H x D)	87 x 147 x 61.5 mm
Weight	512 g (including surface mounting box)
Color	White (RAL 9010)
<b>LBC 1430/10</b>	
Dimensions (W x H x D)	87 x 87 x 32.9 mm
Weight	125 g
Color	White (RAL 9010)
<b>LM1-SMB-MK</b>	
Dimensions (W x H x D)	87.3 x 87.3 x 50 mm
Weight	73 g
Color	White (RAL 9010)

**Environmental**

Operating temperature	-10 °C to +55 °C (+14 °F to +131 °F)
Storage temperature	-40 °C to +70 °C (-40 °F to +158 °F)
Relative humidity	<95%

**Ordering information**

**LBC 1400/10 Volume Control**  
12 W, MK, power-save version  
Order number **LBC1400/10**

**LBC 1400/20 Volume Control**  
12 W, MK, failsafe version  
Order number **LBC1400/20**

**LBC 1410/10 Volume Control**  
36 W, MK, power-save version  
Order number **LBC1410/10**

**LBC 1410/20 Volume Control**  
36 W, MK, failsafe version  
Order number **LBC1410/20**

**LBC 1420/10 Volume Control**  
100 W, MK D/E2, power-save version  
Order number **LBC1420/10**

**LBC 1420/20 Volume Control**

100 W, MK D/E2, failsafe version  
Order number **LBC1420/20**

---

**LBC 1430/10 Program Selector**

5-channel, MK  
Order number **LBC1430/10**

---

**Accessories**

**LM1-SMB-MK**

surface mounting box, MK  
Order number **LM1-SMB-MK**

---

**Represented by:**

**Americas:**

Bosch Security Systems, Inc.  
12000 Portland Avenue South  
Burnsville MN 55337, USA  
Phone: +1-800-392-3497  
Fax: +1-800-955-6831  
audiosupport@us.bosch.com  
www.boschsecurity.com

**Europe, Middle East, Africa:**

Bosch Security Systems B.V.  
P.O. Box 80002  
5617 BA Eindhoven, The Netherlands  
Phone: + 31 40 2577 284  
Fax: +31 40 2577 330  
emea.securitysystems@bosch.com  
www.boschsecurity.com

**Asia-Pacific:**

Robert Bosch (SEA) Pte Ltd, Security  
Systems  
11 Bishan Street 21  
Singapore 573943  
Phone: +65 6571 2808  
Fax: +65 6571 2699  
apr.securitysystems@bosch.com  
www.boschsecurity.asia

**China:**

Bosch (Shanghai) Security Systems Ltd.  
201 Building, No. 333 Fuquan Road  
North IBP  
Changning District, Shanghai  
200335 China  
Phone +86 21 22181111  
Fax: +86 21 22182398  
www.boschsecurity.com.cn

**America Latina:**

Robert Bosch Ltda Security Systems Division  
Via Anhanguera, Km 98  
CEP 13065-900  
Campinas, Sao Paulo, Brazil  
Phone: +55 19 2103 2860  
Fax: +55 19 2103 2862  
al.securitysystems@bosch.com  
www.boschsecurity.com