

EVAC compliant
 Safety acc. to EN 60065
 acc. to BS5839 part 8
 acc. to EN 60849
 Operation temperature -25 °C to +55 °C (-13 °F to +131 °F)
 Storage temperature -40 °C to +70 °C (-40 °F to +158 °F)
 Relative humidity > 95%

Certification and Approvals

Environmental

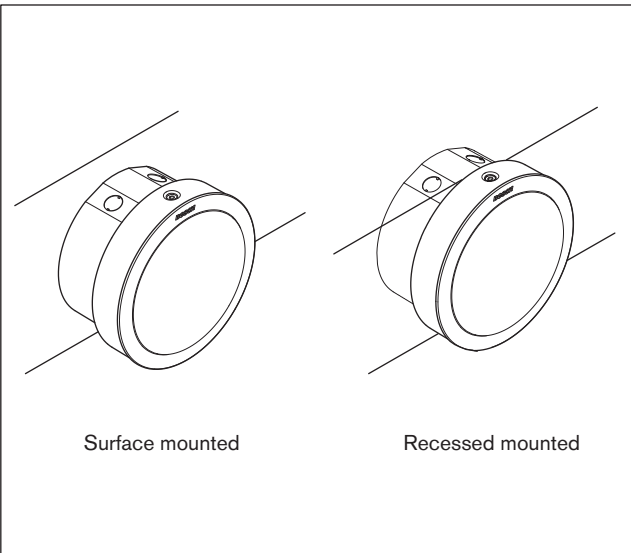
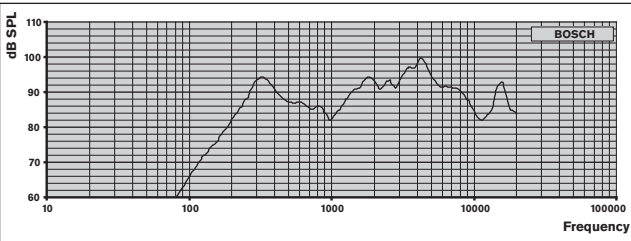
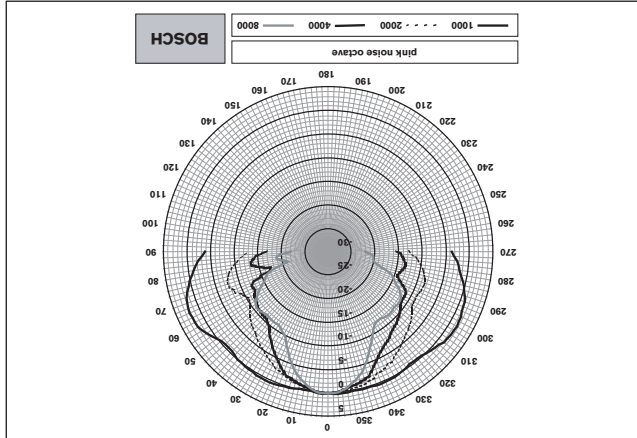
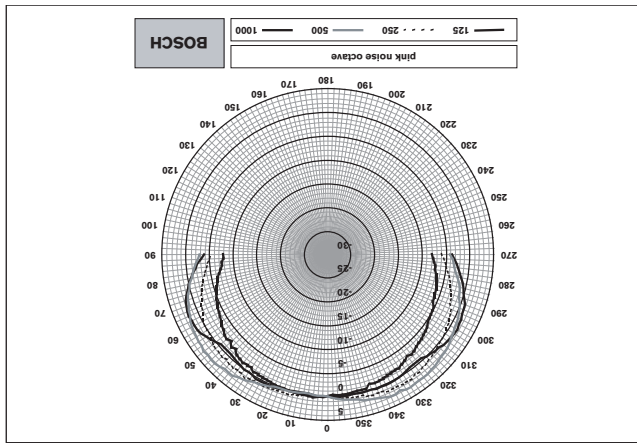
Color white RAL 9010
 Weight 1.23 kg (2.71 lb)
 Dimensions (dia x max. depth) 199 x 105 mm (7.8 x 4.1 in)

Mechanical

Speaker size 6 inch
 Connector 3 pole screw terminal
 Rated impedance 835 / 1667 Ohm
 Rated voltage 70 / 100 V
 Effective frequency range (-10dB) 160 Hz to 20 kHz
 Opening angle at 1 kHz/4 kHz (-6dB) 180 / 56 degrees
 Sound pressure level at 6 W/1 W (1 kHz, 1 m) 94 dB / 86 dB
 Rated power 6 W (6 - 3 - 1.5 - 0.75 W)
 Maximum power 9 W

Electrical

TECHNICAL PERFORMANCE DATA ACC. TO IEC 60268-5



Loudspeakers

en | Instructions for use
LB1-UM06E-1

