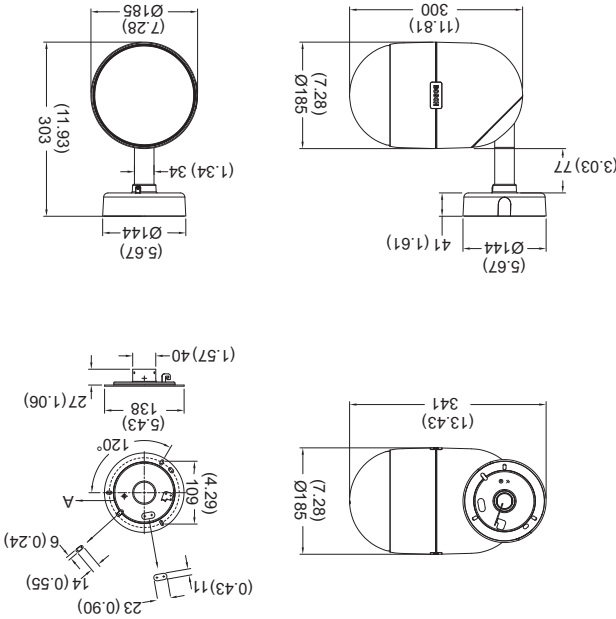
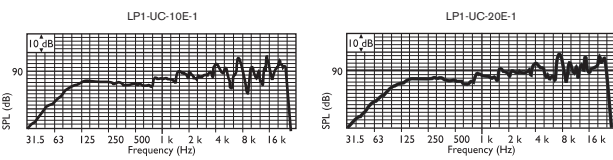


Electrical	Mechanical	Environmental
Maximum power 15 W	Dimensions (D x L) 185 x 300 mm	Operating temperature -25 °C to +55 °C
Rated power 20 / 10 / 5 / 2.5 W	Weight 3 kg (6.6 lb)	Storage temperature -40 °C to +70 °C (-40 °F to +158 °F)
Sound pressure level at 10 W / 1W (1 kHz, 1 m) 96 dB / 86 dB (SPL)	Color white (RAL 9010)	Relative humidity < 95%
Opening angle at 1 kHz / 4 kHz (-6dB) 220 / 65 degrees	Material ABS	
Effective frequency range (-10 dB) 75 Hz to 20 kHz	Dimensions (D x L) 185 x 300 mm	
Rated voltage 100 V	Weight 3 kg (6.6 lb)	
Rated impedance 500 Ohm	Color white (RAL 9010)	
Connector 3 pole screw terminal	Material ABS	
	Dimensions (D x L) 185 x 300 mm	
	Weight 3 kg (6.6 lb)	
	Color white (RAL 9010)	
	Material ABS	

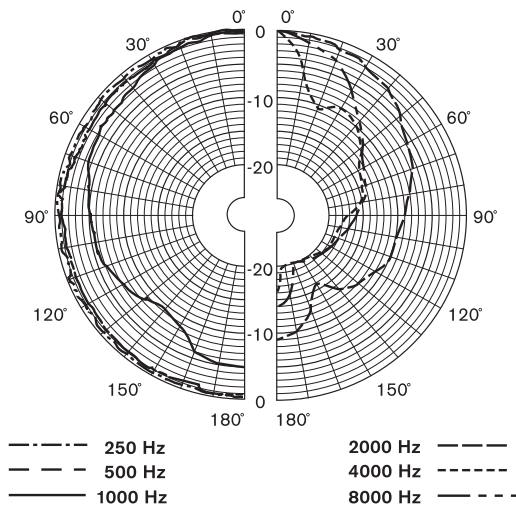
Dimensions in mm / (inch) A: Cut-out



TECHNICAL PERFORMANCE DATA ACC. TO IEC 60268-5



Frequency response

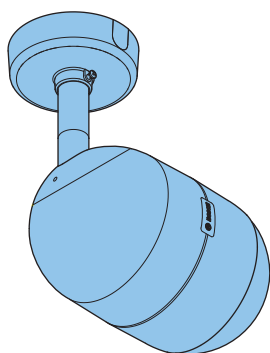


Polar diagram (measured with pink noise)

Sound Projector



en | Instructions for use
LP1-UC10E-1
LP1-UC20E-1



LP1-UC10E-1
LP1-UC20E-1

