



Ceiling Loudspeaker

LC3-UC06E and LC3-CBB



BOSCH

en Installation note

1 Installation

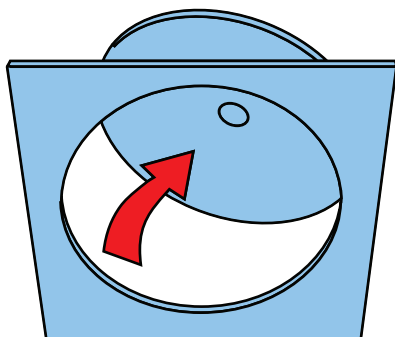


Fig. 1

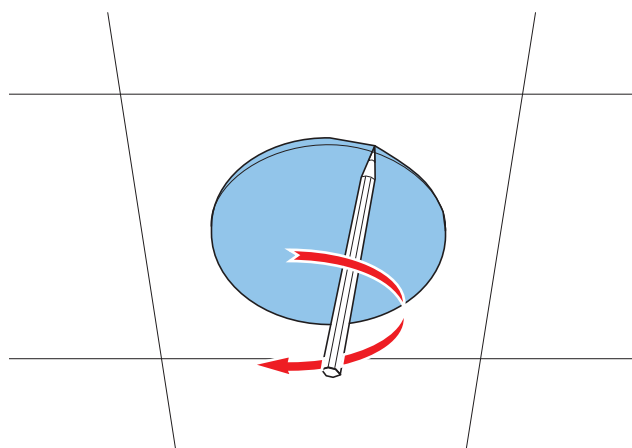


Fig. 2

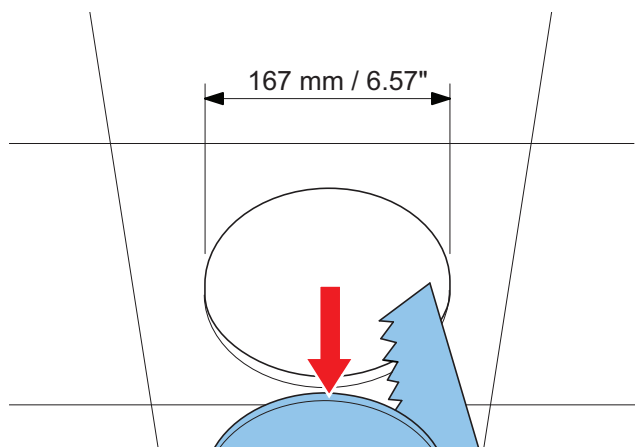


Fig. 3

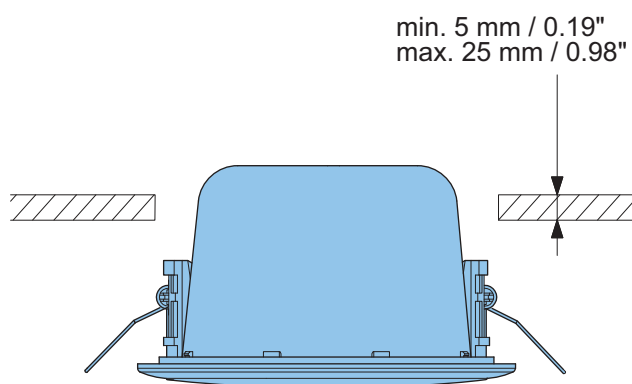


Fig. 4 LC3-UC06E and LC3-CBB

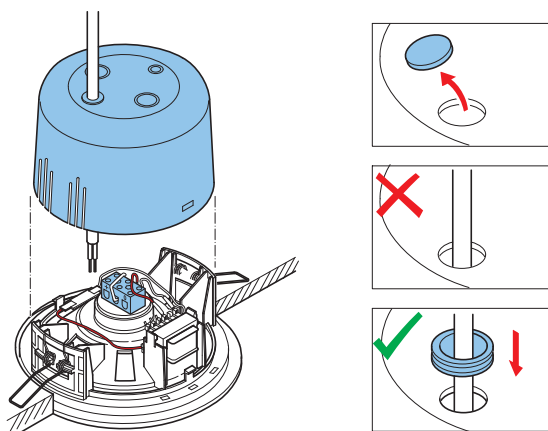


Fig. 5

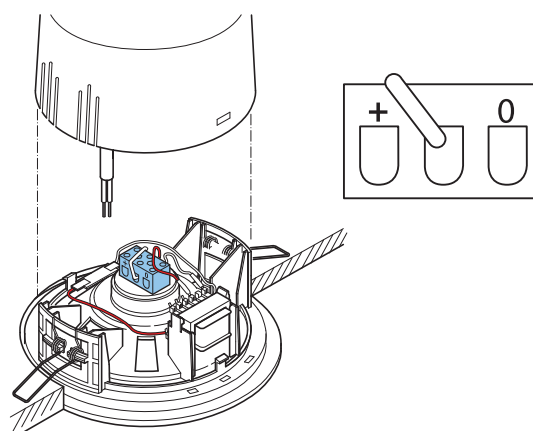


Fig. 6

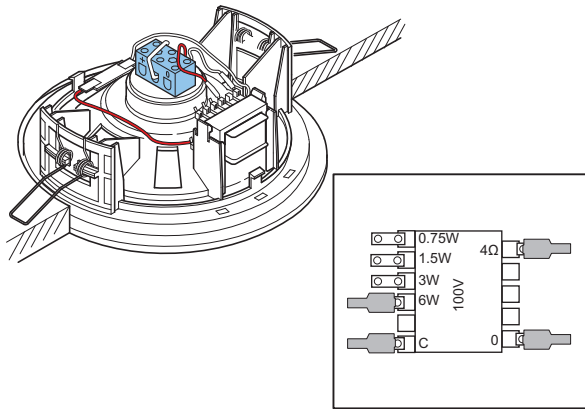


Fig. 7

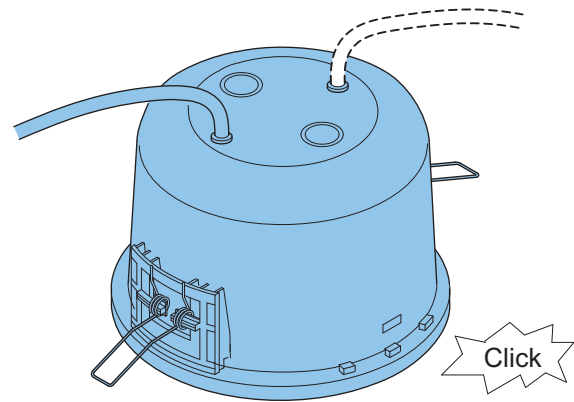


Fig. 8

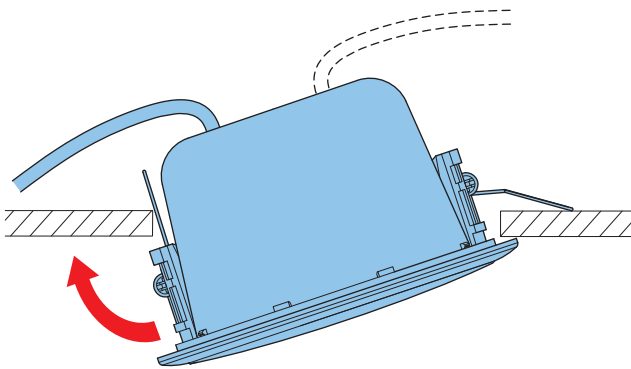


Fig. 9

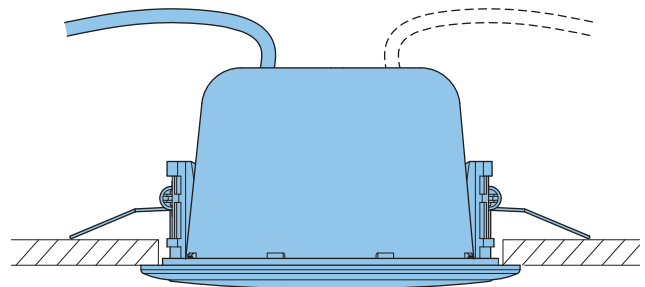


Fig. 10

2 Technical data

Electrical

	LC3-UC06E
Description	Ceiling loudspeaker
Maximum power	9 W
Rated power	6 W (6/3/1.5/0.75 W)
Sound pressure level at 6 W power / 1 W (1 kHz, 1 m)	94 dB / 86 dB (SPL)
Opening angle at 1 kHz / 4kHz (-6 dB)	180° / 85°
Effective frequency range (-10 dB)	90 Hz to 20 kHz
Rated voltage	100 V
Rated impedance	1667 Ohm
Electrical connection	3-pole ceramic screw terminal block
Acceptable wire gauge	0.5 – 3 mm ²

Mechanical

	LC3-UC06E	LC3-CBB
Description	Ceiling Loudspeaker	Back-Box
Diameter	180 mm (7.08 in)	148 mm (5.82 in)
Mounting cut-out	167 mm (6.57 in)	-
Max. ceiling thickness	5 to 25 mm (0.19 to 0.98 in)	-
Maximum depth	63 mm (2.48 in)	96.3 mm (3.79 in)
Material (frame, front grille)	ABS	ABS
Weight	538 g (1.19 lb)	110 g (0.24 lb)
Color	White (RAL 9010)	White (RAL 9010)

Environmental

Operating temperature	-25 °C to +55 °C (-13 °F to +131 °F)
Storage temperature	-40 °C to +70 °C (-40 °F to +158 °F)
Relative humidity	<95%

2.1 Certification and approvals

Emergency	According to BS 5839-8 According to EN 54-24
CE	Declaration of Conformity
Safety	According to EN 60065
UL compliancy	According to UL 94 V 0



Notice!

To be compliant with EN 54-24:

The loudspeaker must be installed with the back-box LC3-CBB.

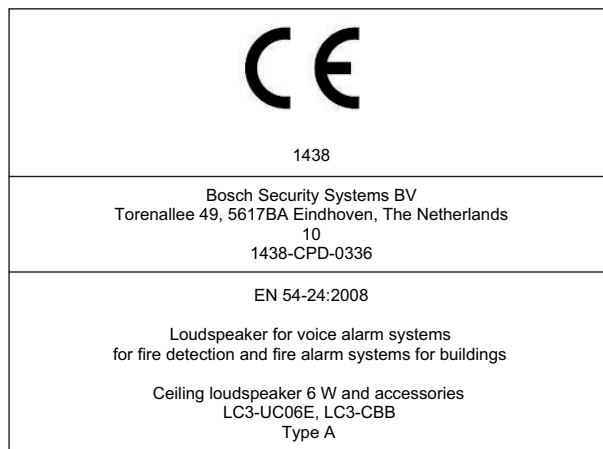
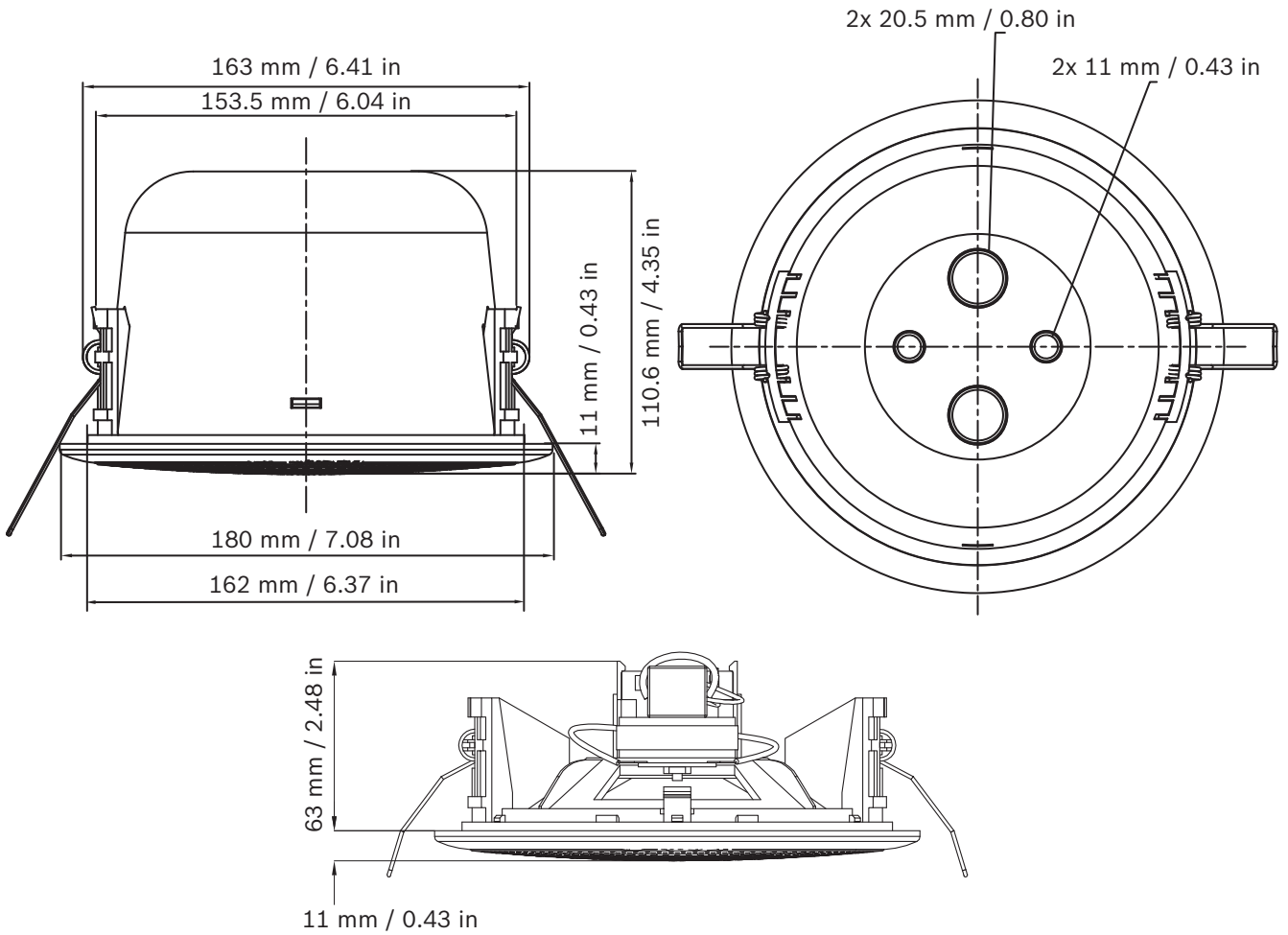
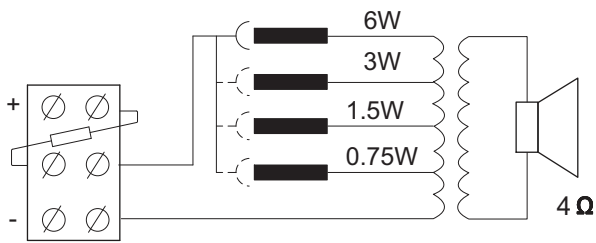


Figure 2.1: CE Declaration of Conformity

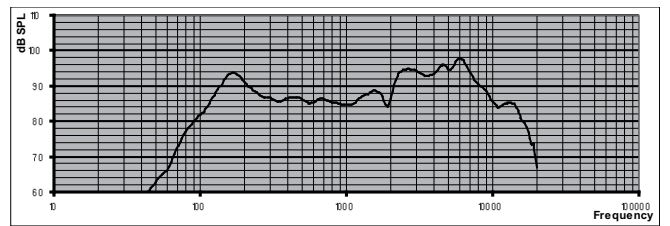
2.2 Additional technical data



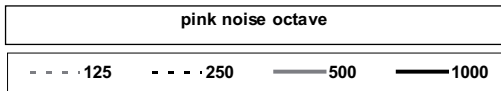
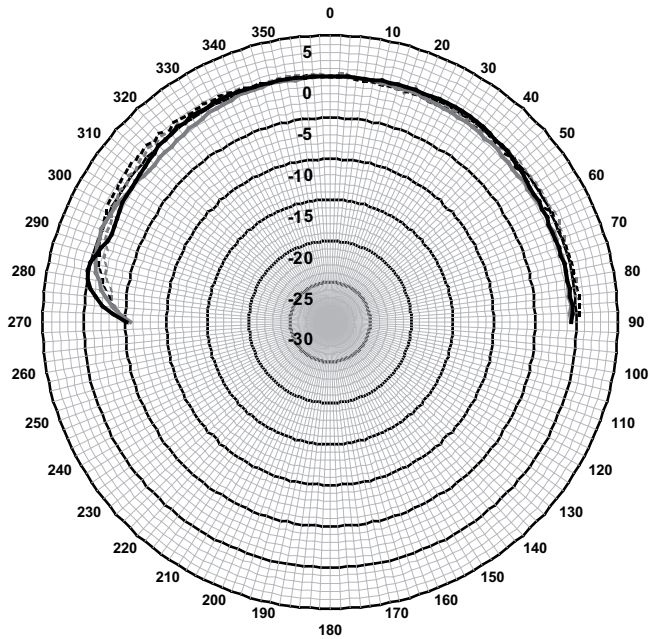
Dimensions: LC3-UC06E and LC3-CBB



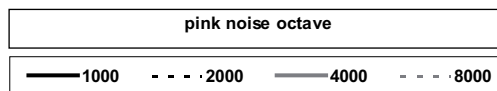
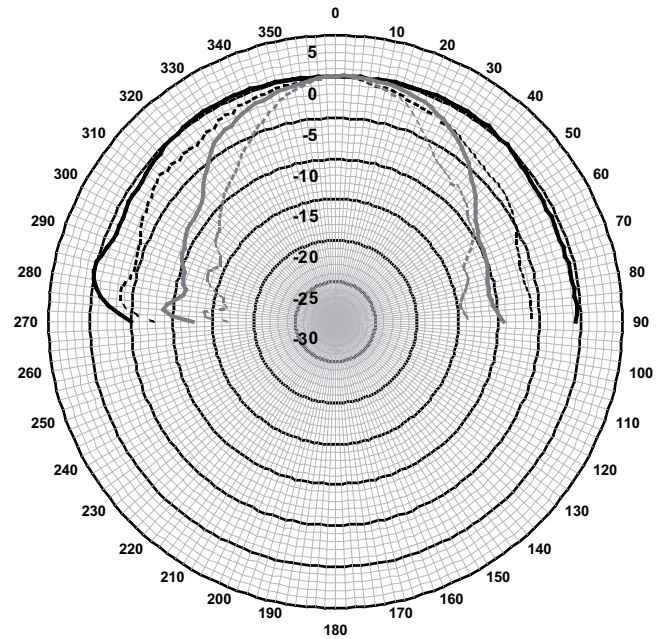
Circuit diagram



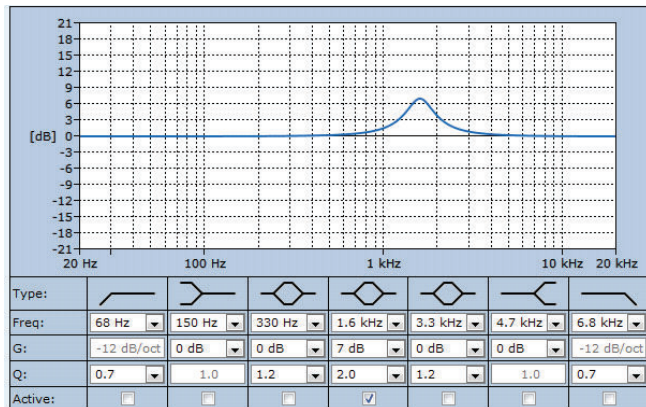
Frequency response



Polar diagram (Measured with pink noise)



Polar diagram (Measured with pink noise)



Specified active equalization required for EN54-24

Bosch Security Systems B.V.

Torenallee 49

5617 BA Eindhoven

The Netherlands

www.boschsecurity.com

© Bosch Security Systems B.V., 2013