

# LBC 3094/15 Sound Projector

www.boschsecurity.com



**BOSCH**  
Invented for life



- ▶ Suitable for speech and music reproduction
- ▶ Simple power setting
- ▶ 2 m fixed connection cable
- ▶ Splash-waterproof
- ▶ Robust self-extinguishing ABS enclosure to UL 94 V0

The LBC 3094/15 is a sound projector for speech and music reproduction in indoor or outdoor applications such as shopping centers, factory grounds and sports fields.

## Functions

Sound projectors are intended for applications where directing the sound beam is desirable. Similar in concept to a spotlight, a sound projector can be used to provide localized sound reproduction. Typical examples include restaurants, exhibitions, factory grounds and shopping centers.

The sound projectors are splash waterproof and suitable for outdoor use and in environments with high humidity levels such as swimming pools.

The enclosures are made from high-impact self-extinguishing ABS (acc. to class UL 94 V0). The sound projector enclosures are colored off-white and supplied with steel mounting brackets painted in off-white. They are suitable for mounting onto walls or ceilings.

## Certifications and approvals

All Bosch loudspeakers are designed to withstand operating at their rated power for 100 hours in accordance with IEC 268-5 Power Handling Capacity (PHC) standards. Bosch has also developed the Simulated Acoustical Feedback Exposure (SAFE) test to demonstrate that they can withstand two times their rated power for short durations. This ensures extra reliability under extreme conditions, leading to higher customer satisfaction, longer operating life, and much less chance of failure or performance deterioration.

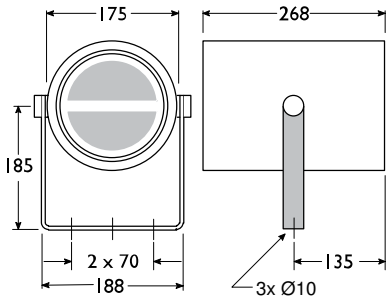
All plastic parts are manufactured from self-extinguishing high-impact ABS material (according to UL 94 V0). In common with all Bosch products, care is taken to meet high safety standards. These sound projectors comply with all the relevant safety and installation regulations of EN 60065.

Water and dust protection	acc. to EN 60529, IP 63
---------------------------	-------------------------

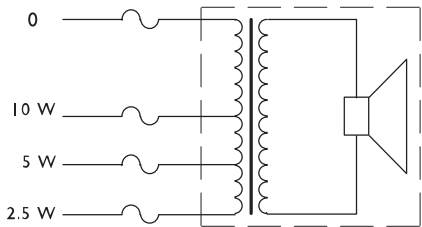
Region	Certification
Europe	CE

**Installation/configuration notes**

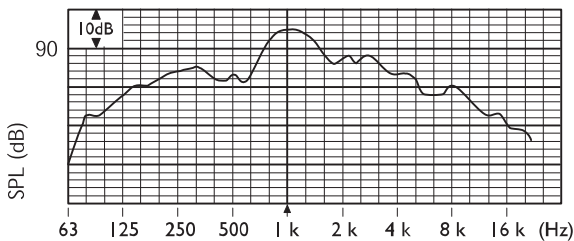
All units are supplied with a color-coded four-core connecting cable with each color connected to a different primary tap on the 100 V matching transformer. This allows nominal full-power, half-power or quarter-power radiation to be selected (in 3 dB steps).



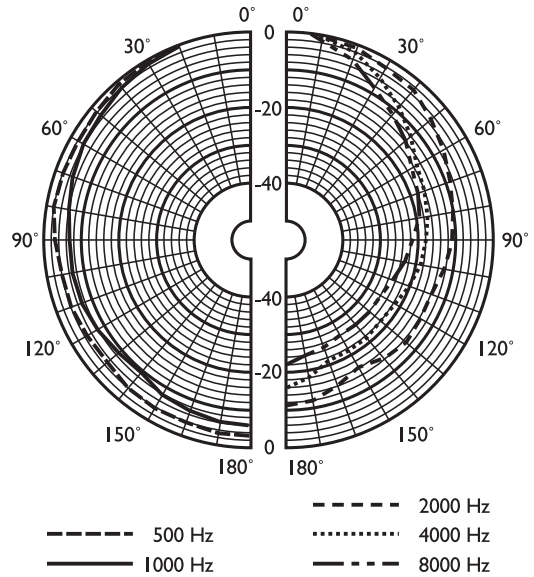
Dimensions in mm



Circuit diagram



Frequency response



Polar diagram (measured with pink noise)

	125 Hz	250 Hz	500 Hz	1 kHz	2 kHz	4 kHz	8 kHz
SPL 1.1	81	82	85	92	89	87	79
SPL max.	91	92	95	102	99	97	89
Q-factor	1.2	1.3	1.8	3.1	5.9	20	32
Efficiency	0.1	0.1	0.2	0.6	0.2	0.03	0.01
H. angle	360	360	360	160	105	70	40
V. angle	360	360	360	160	105	70	40

Acoustical performance specified per octave

**Technical specifications**

**Electrical\***

Maximum power	15 W
Rated power	10 / 5 / 2.5 W
Sound pressure level at 10 W / 1 W (1 kHz, 1 m)	102 dB / 92 dB (SPL)
Effective frequency range (-10 dB)	140 Hz to 13 kHz
Opening angle at 1 kHz / 4 kHz (-6 dB)	160° / 70°
Rated voltage	100 V
Rated impedance	1000 ohm
Connection	2 m 4-wire cable

\* Technical performance data acc. to IEC 60268-5

**Mechanical**

Dimensions (D x L)	175 x 268 mm (6.9 x 10.5 in)
Weight	2.5 kg (7.3 lb)
Color	White (RAL 9010)

**Environmental**

Operating temperature	-25 °C to +55 °C (-13 °F to +131 °F)
Storage temperature	-40 °C to +70 °C (-40 °F to +158 °F)
Relative humidity	<95%

**Ordering information****LBC 3094/15 Sound Projector**

10 W, white ABS

Order number **LBC3094/15****Accessories****LBC 1256/00 EVAC Connection Adapter**

3-pole screw connector, 100 pieces

Order number **LBC1256/00****Represented by:****Americas:**

Bosch Security Systems, Inc.  
12000 Portland Avenue South  
Burnsville MN 55337, USA  
Phone: +1-800-392-3497  
Fax: +1-800-955-6831  
audiosupport@us.bosch.com  
www.boschsecurity.com

**Europe, Middle East, Africa:**

Bosch Security Systems B.V.  
P.O. Box 80002  
5617 BA Eindhoven, The Netherlands  
Phone: + 31 40 2577 284  
Fax: +31 40 2577 330  
emea.securitysystems@bosch.com  
www.boschsecurity.com

**Asia-Pacific:**

Robert Bosch (SEA) Pte Ltd, Security Systems  
11 Bishan Street 21  
Singapore 573943  
Phone: +65 6571 2808  
Fax: +65 6571 2699  
apr.securitysystems@bosch.com  
www.boschsecurity.asia

**China:**

Bosch (Shanghai) Security Systems Ltd.  
201 Building, No. 333 Fuquan Road  
North IBP  
Changning District, Shanghai  
200335 China  
Phone +86 21 22181111  
Fax: +86 21 22182398  
www.boschsecurity.com.cn

**America Latina:**

Robert Bosch Ltda Security Systems Division  
Via Anhanguera, Km 98  
CEP 13065-900  
Campinas, Sao Paulo, Brazil  
Phone: +55 19 2103 2860  
Fax: +55 19 2103 2862  
al.securitysystems@bosch.com  
www.boschsecurity.com